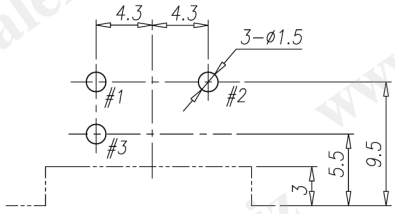
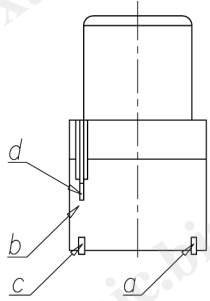
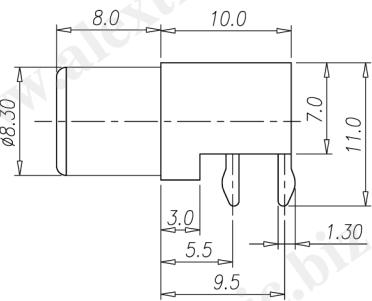
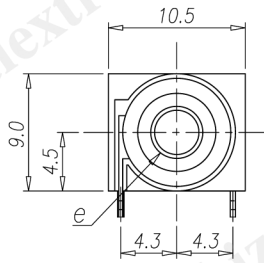


CATEGORY	DESCRIPTION	P/N #
CONNECTOR	RCA Jack, 1*1Ports,R/A,T/H	RJ062R-11060-XX1B

RJ062R-11060-XX1B  
表示物開關  
See Color Scheme

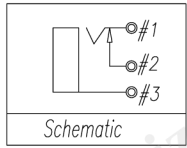
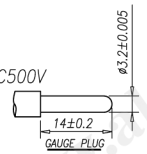


Recommend PCB Layout  
Jack Top View  
Tolerance: ±0.05  
Recommend PCB Thickness 1.6mm

REV.	ECN NO	DESCRIPTION	REVISED	DATE
A01		New Release	GMC	2009.12.17

SPECIFICATION

- Voltage and Current Rating: 12V & 1A
- Contact resistance: 30mΩ MAX.
- Insulation resistance: 100MΩ MIN. @ DC500V
- Withstand voltage: 500VAC for 1min
- Insertion Force: 3Kgf MAX.
- Extraction Force: 0.3Kgf MIN.
- Withdraw Force for Center Contact: 0.08Kgf MIN.  
(Use a OD=3.2±0.005mm, Length=14±0.2mm Gauge Plug)
- Terminal Strength: The terminal shall be capable of withstanding a force of 3Kgf applied in any direction for 0.5 secs without losing and breakdown
- Life test: 1,500 cycles
- Temperature Range: -25°C~70°C
- To conform with the "QC-03-045" & "RoHS DIRECTIVE"
- Solder heat resistance: wave soldering 260° c 5 secs



Schematic

Color Scheme

XX	A
02	Red
00	Black

Product Drawing  
ALEXTRONIC

NO.	PART NAME	Q'TY	MATERIAL	PLATING & COLOR	Remark
e	Washer	1	PBT UL94V-0	See Color Scheme	
d	Terminal #3	1	Copper Alloy, T=0.3mm	CuSn Plating	
c	Terminal #1	1	Copper Alloy, T=0.5mm	CuSn Plating	
b	Housing	1	PBT UL94V-0	Black	
a	Terminal #2	1	Copper Alloy, T=0.4mm	CuSn Plating	

UNLESS OTHERWISE SPECIFIED TOLERANCES  
DECIMALS: X : ±0.5 X.X : ±0.3 X.XX : ±0.2  
ANGLES: X : ±2° X.X : ±1°

SCALE: 1/1	UNIT: mm	DWG. NO:
SIZE: A3	PAGE: 1 OF 1	REV: A01
APPROVED BY	CHECKED BY	PREPARED BY
WYX	Pengjie	GMC
<b>CUSTOMER COPY</b>		